

### Product Overview

LAS0 series is divided into A3, B3, Q, K, L, K30 six products, representing six product structure (refer to the specific product structure illustration), the series of button head modeling variety, the structure is cleverly designed, and the operating part of the link with the center base uses a large span of multi-point card, high Wall inline fixed installation, anti-drop, anti-vibration, can meet the user a variety of use scenarios. It can meet a variety of user scenarios. The K30 type button is ultra-thin head (the head of the button to the panel <3mm), beautiful appearance, comfortable operation, and installation holes. Beautiful and comfortable to operate, the installation aperture is  $\Phi 30\text{mm}$ .

**Specs** Products include push button, signal indicator, emergency stop knob, knob, key knob, key emergency stop knob, mushroom knob, double-position knob, cross switch; mounting holes cover  $\Phi 22\text{mm}$ ,  $\Phi 25\text{mm}$  (use fixed nut reducer),  $\Phi 30\text{mm}$  (K30 type only).

**Performance** High quality engineering flame retardant materials are used, and the switch components are separated independently in the structure. Good insulation performance; products comply with IEC60947-5-1, GB/T14048.5 and other standards.

**Structure** There are two types of switch elements: "fast-acting" and "slow-acting" with "self-cleaning" function. The switch blocks can be assembled in a modular manner, with two switch elements installed in each block. Up to 8 switch elements can be combined to meet the requirements of various specific control circuits.

**Protective Degree** Conventional configuration IP40, some products can be customized IP65/IP67.



### Switch Ratings

Rated Insulation Voltage (Ui)			500V					
Terminal Current (Ith)			10A Temperature rise does not exceed the current allowed by the maximum rating					
Rated Voltage			24V	48V	110V	220V	380V	500V
Rated Current	AC 50/60HZ	AC-12 resistive load and Semiconductor load control	10A	—	10A	6A	—	—
		AC-15 electronic load control (>72VA)	10A	—	6A	3A	1.8A	1.4A
	DC	DC-12 resistive load and Semiconductor load control	8A	4A	2.2A	1.1A	—	—
		DC-13 electronic load control	4A	2A	1.1A	0.6A	—	—
Contact material			Silver alloy					

Minimum load : 3V AC/DC, 5mA (Application scope depends on operating environment and load type)

### Performance Characteristics

Operating temperature	-25 ~ + 55 (no freezing) keep the air flowing around illuminated push button
Operation Humidity	45 ~85%RH (no condensation)
Contact Resistor	50m
Insulation Resistor	100M (500VDC)
Maximum withstand voltage	3000V, AC 50Hz, 1min
Vibration Resistance	50Hz, Amplitude 1.0mm
Mechanical Life	Momentary knob 1 million times,
	Latching knob, selection knob 500,000 times ,
	key knob, emergency stop button 200,000 times.
Electrical Life	More than 50,000 times (cross switch 10,000 times or more )
Connection	Threaded connection, wire diameter: 2 x 1.5 mm <sup>2</sup> max
	Pin terminal: 6.3x0.8mm
Operating force	1N01NC: approx. 10N, 2N02NC: approx. 17N (button)
	1N01NC: approx. 14N, 2N02NC: approx. 21N (waterproof button)
Operation Travel	A, B, Q type: about 5.0mm(pushbutton)
	K L K30 type: about 3.8mm(pushbutton)

### Installation Dimensions and circuit diagram

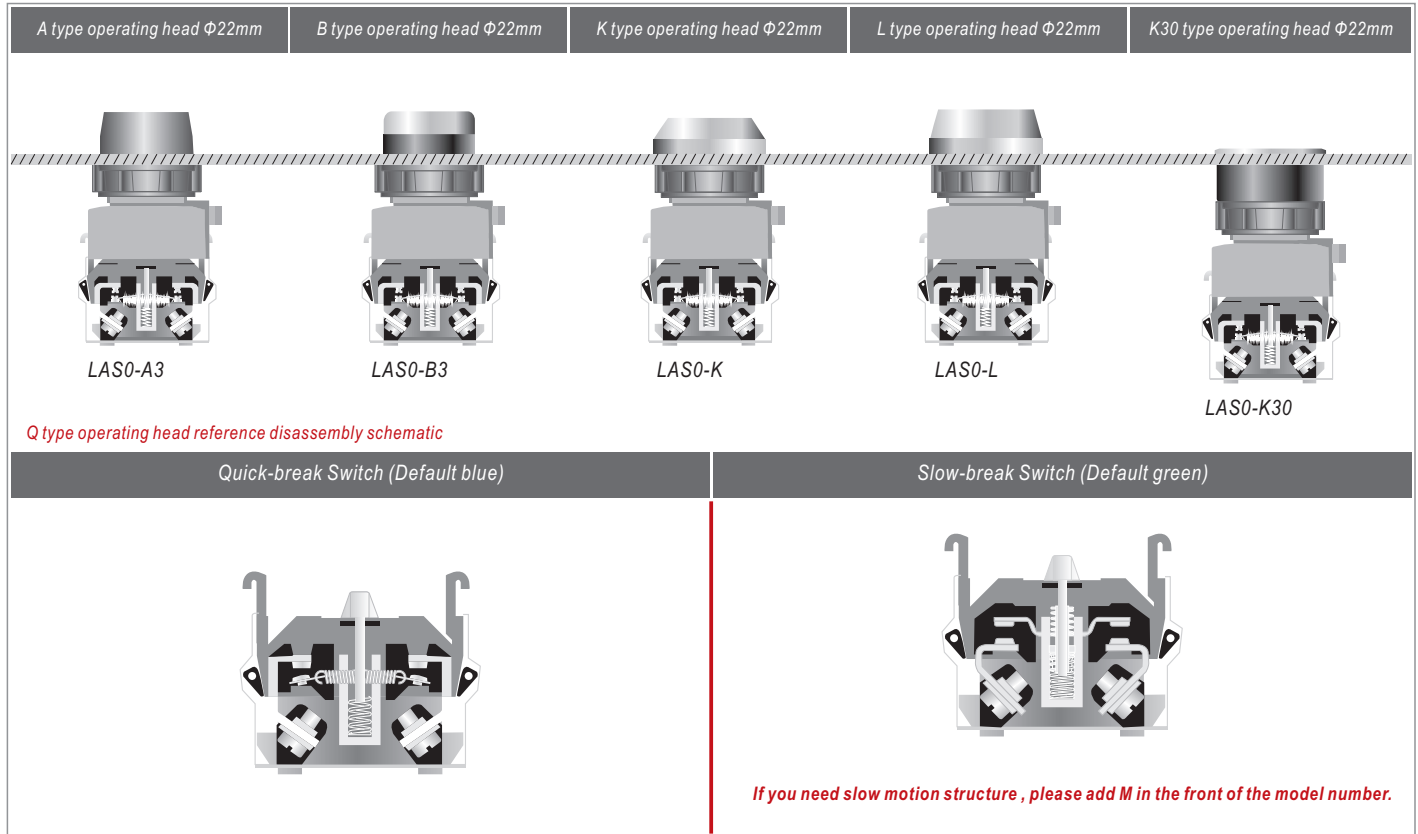
Installation Dimensions

circuit diagram

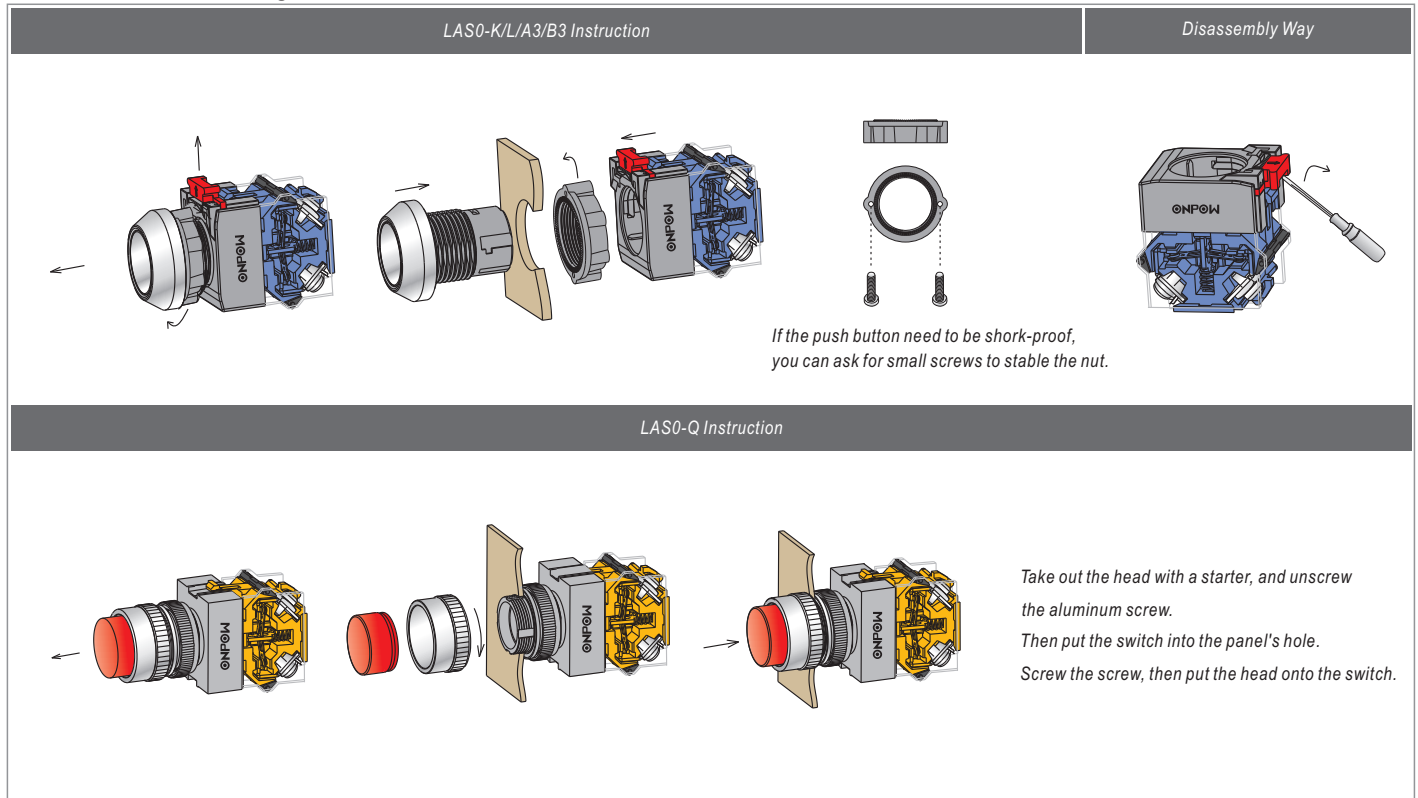
The switch code is 11.  
1, 2 are normal closed;  
3, 4 are normal opened;

Type	A	B	C	Remark
Normal	$\Phi 22.5$	50	35	1、 Unit: mm 2、 B and C both refer to the minimum size
Selector, Key-lock	or $\Phi 25.5$	50	35	
Mushroom	or $\Phi 30.5$	50	42	
Big Mushroom		70	70	

Structure Charts


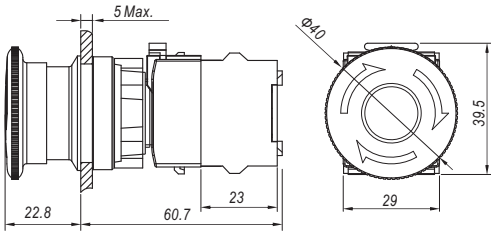

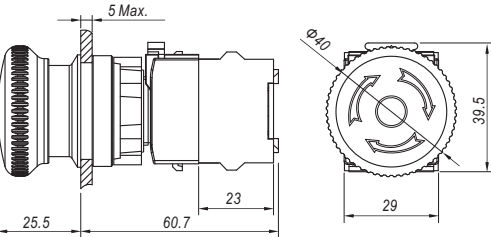

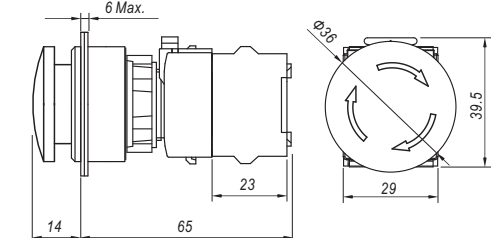


Product Installation Diagram



Product Picture	Description	Dimension
<p>A Type Emergency stop switch LAS0-K- TSA/R/</p>	<p>Contact 11: 1NO1NC / 10: 1NO / 01: 1NC Other switch combinations refer to the model description IP degree P:IP65 / No letter means IP40 Accessory T35 protective cover/ Warning ring T14-2260 / T26 protection ring</p>	<p>0 5-5mm 22.5 55 23 29 39.5 <math>\phi 40</math></p>
<p>B Type Emergency stop switch LAS0-K- TSB</p>	<p>Contact 11: 1NO1NC / 10: 1NO / 01: 1NC Other switch combinations refer to the model description IP degree IP40 Accessory T35 protective cover/ Warning ring T14-2260 / T26 protection ring</p>	<p>0 5-5mm 37 55 23 29 39.5 <math>\phi 40</math></p>
<p>C Type Emergency stop switch LAS0-K- TSC/</p>	<p>Contact 11: 1NO1NC / 10: 1NO / 01: 1NC Other switch combinations refer to the model description IP degree P:IP65 / No letter means IP40 Accessory T35 protective cover/ Warning ring T14-2260 / T26 protection ring</p>	<p>0 5-5mm 21 55 23 29 39.5 <math>\phi 40</math></p>
<p>Emergency stop Key-lock Switch LAS0-K- YTS</p>	<p>Contact 11: 1NO1NC / 10: 1NO / 01: 1NC Other switch combinations refer to the model description IP degree IP40 Accessory T35 protective cover/ Warning ring T14-2260 / T26 protection ring</p>	<p>0 5-5mm 24.7 55 23 29 39.5 <math>\phi 40</math></p>
<p>Double-position (can be illuminated) LAS0-K- S/</p>	<p>Contact 11: 1NO1NC / 10: 1NO / 01: 1NC Other switch combinations refer to the model description LED voltage 6V / 12V / 24V / 110V / 220V IP degree IP40 Accessory T35 protective cover</p>	<p>0 5-5mm 14.5 55 23 29 56</p>



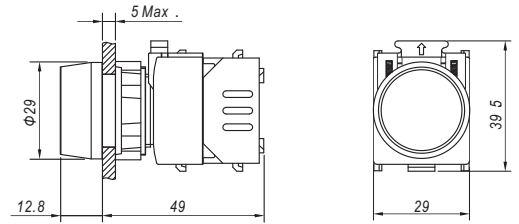
Product Picture	Description	Dimension
 <p>Emergency stop switch LAS0-K30- TSA</p>	<p>Contact 11: 1NO1NC / 10: 1NO / 02: 2NC Other switch combinations refer to the model description IP degree IP40 Accessory T35 protective cover</p>	
 <p>Metal head Emergency stop switch LAS0-K30- TSC</p>	<p>Contact 11: 1NO1NC / 10: 1NO / 02: 2NC Other switch combinations refer to the model description IP degree IP40 Accessory T35 protective cover</p>	
 <p>Emergency stop switch LAS0-K30- TSD</p>	<p>Contact 11: 1NO1NC / 10: 1NO / 02: 2NC Other switch combinations refer to the model description IP degree IP40 Accessory T35 protective cover</p>	



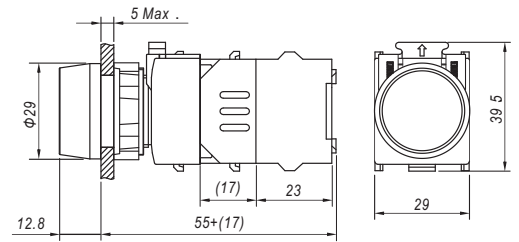
Product Picture	Description	Dimension
-----------------	-------------	-----------



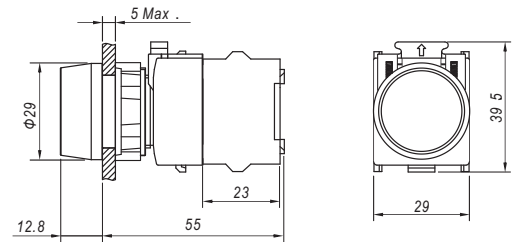
LED color **R G Y B W**  
 LED voltage 6V / 12V / 24V / 110V / 220V / 380V  
 IP degree IP40  
 Accessory T01 sealing cover / T04 sign frame



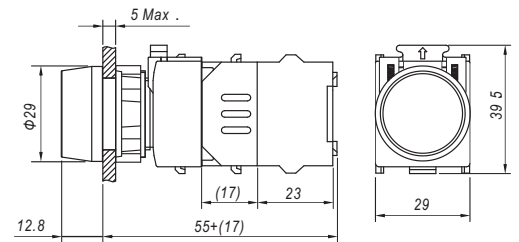
Contact 11: 1NO1NC / 10: 1NO / 01: 1NC  
 Other switch combinations refer to the model description  
 Operation Z: Latching / No letter: Momentary  
 LED color **R G Y B W N**  
 LED voltage 6V / 12V / 24V / 110V / 220V / 380V  
 IP degree IP40  
 Accessory T01 sealing cover / T04 sign frame / T35 protective cover



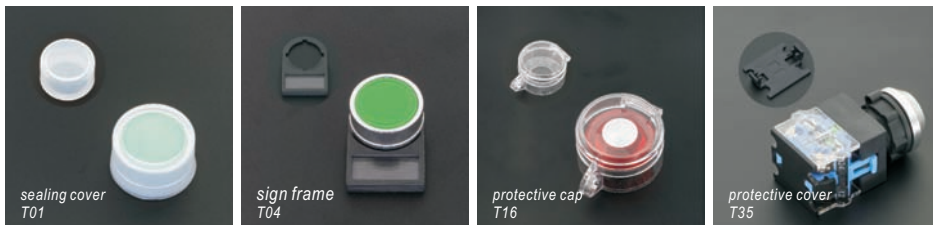
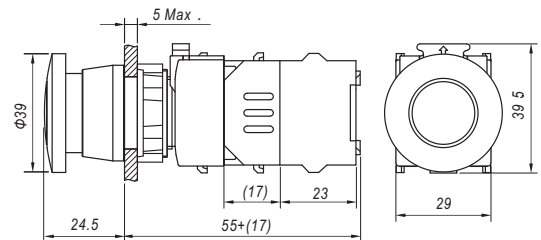
Contact 11: 1NO1NC / 10: 1NO / 01: 1NC  
 Other switch combinations refer to the model description  
 Operation Z: Latching / No letter: Momentary  
 IP degree IP40  
 Accessory T01 sealing cover / T04 sign frame / T35 protective cover

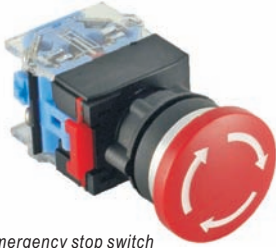
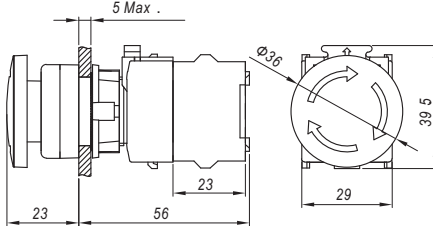

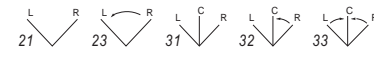
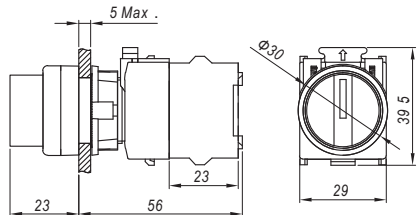
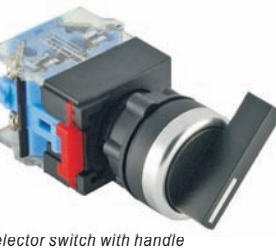


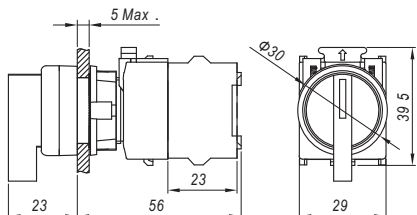
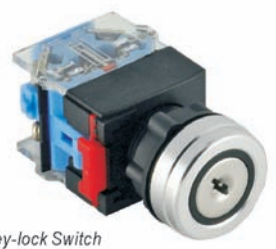
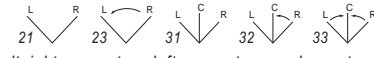
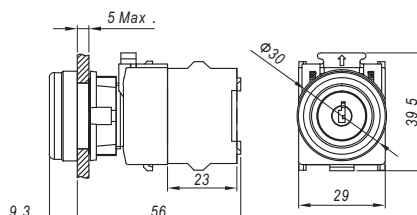



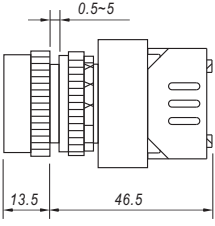
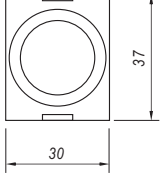

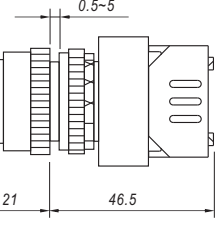
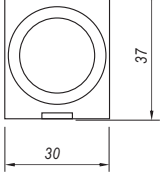

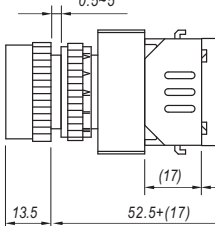
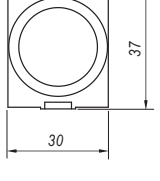

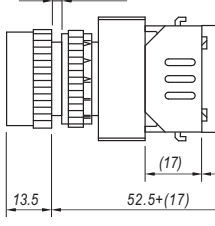
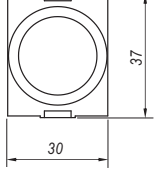

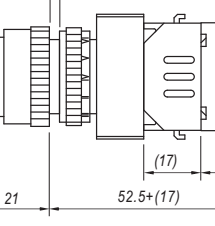
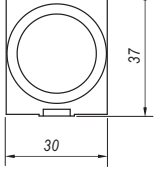
Contact 11: 1NO1NC / 10: 1NO / 01: 1NC  
 Other switch combinations refer to the model description  
 Operation Z: Latching / No letter: Momentary  
 LED color **R G Y B W N**  
 LED voltage 6V / 12V / 24V / 110V / 220V / 380V  
 IP degree IP40  
 Accessory T01 sealing cover / T04 sign frame / T35 protective cover



Contact 11: 1NO1NC / 10: 1NO / 01: 1NC  
 Other switch combinations refer to the model description  
 Operation Z: Latching / No letter: Momentary  
 LED color **R G Y**  
 LED voltage 6V / 12V / 24V / 110V / 220V  
 IP degree IP40  
 Accessory T35 protective cover / Protective cap T16



Product Picture	Description	Dimension
 <p>Emergency stop switch LAS0-B3Y- TS</p>	<p>Contact 11: 1NO1NC / 10: 1NO / 02: 2NC Other switch combinations refer to the model description</p> <p>IP degree IP40</p> <p>Accessory Warning ring T14-2260 / T35 protective cover / T26 protection ring</p>	
 <p>Selector Switch LAS0-B3Y- XI</p>	<p>Contact 11: 1NO1NC / 20: 2NO / 02: 2NC Other switch combinations refer to the model description</p> <p>Operation </p> <p>(32 Default right momentary, left momentary can be customized) Contact, pls refer to "contact on/off chart"</p> <p>IP degree IP40</p> <p>Accessory T04 sign frame / T35 protective cover</p>	
 <p>Selector switch with handle LAS0-B3Y- XB/ /</p>	<p>Contact 11: 1NO1NC / 20: 2NO / 02: 2NC Other switch combinations refer to the model description</p> <p>Operation </p> <p>(32 Default right momentary, left momentary can be customized) Contact, pls refer to "contact on/off chart"</p> <p>LED color </p> <p>IP degree IP40</p> <p>Accessory T35 protective cover / T04 sign frame</p>	
 <p>Key-lock Switch LAS0-B3Y- Y/ /</p>	<p>Contact 11: 1NO1NC / 20: 2NO / 02: 2NC Other switch combinations refer to the model description</p> <p>Operation </p> <p>(32 Default right momentary, left momentary can be customized) Contact, pls refer to "contact on/off chart"</p> <p>Unmovable Position of Key Refer to Notes</p> <p>IP degree P:IP65(only maintain type) / No letter means IP40</p> <p>Can be customized with keys that cannot be pulled out at the specified location</p> <p>Accessory T35 protective cover / T04 sign frame</p>	

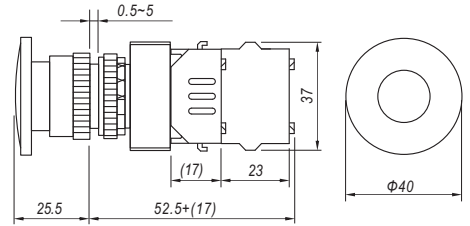
Product Picture	Description	Dimension	
 <p>Fast Installation Pilot Lamp (can be illuminated) LAS0-Q-DS/ /</p>	<p>LED color <b>R G Y B W</b>                      LED voltage 6V / 12V / 24V / 110V / 220V / 380V                      IP degree IP40                      Accessory T01 sealing cover / T04 sign frame</p>		
 <p>Pilot Lamp LAS0-Q-D/ /</p>	<p>LED color <b>R G Y B W</b>                      LED voltage 6V / 12V / 24V / 110V / 220V / 380V                      IP degree IP40                      Accessory T04 sign frame</p>		
 <p>Fast Installation Flat Head (can be illuminated) LAS0-Q- S/ /</p>	<p>Contact 11: 1NO1NC / 10: 1NO / 01: 1NC                      Other switch combinations refer to the model description                      Operation Z: Latching / No letter: Momentary                      LED color <b>R G Y B W N</b>                      LED voltage 6V / 12V / 24V / 110V / 220V / 380V                      IP degree IP40                      Accessory T01 sealing cover / T04 sign frame /                      T35 protective cover</p>		
 <p>Flat Head (can be illuminated) LAS0-Q- / /</p>	<p>Contact 11: 1NO1NC / 10: 1NO / 01: 1NC                      Other switch combinations refer to the model description                      Operation Z: Latching / No letter: Momentary                      LED color <b>R G Y B W N</b>                      LED voltage 6V / 12V / 24V / 110V / 220V / 380V                      IP degree IP40                      Accessory T01 sealing cover / T04 sign frame /                      T35 protective cover</p>		
 <p>Long Head (can be illuminated) LAS0-Q- G/ /</p>	<p>Contact 11: 1NO1NC / 10: 1NO / 01: 1NC                      Other switch combinations refer to the model description                      Operation Z: Latching / No letter: Momentary                      LED color <b>R G Y B W N</b>                      LED voltage 6V / 12V / 24V / 110V / 220V / 380V                      IP degree IP40                      Accessory T04 sign frame / T35 protective cover</p>		



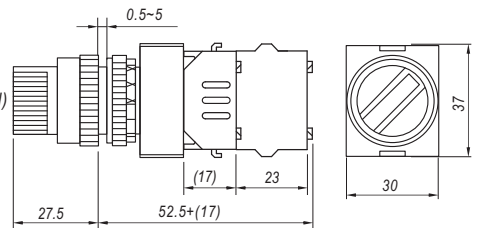
Product Picture	Description	Dimension
-----------------	-------------	-----------



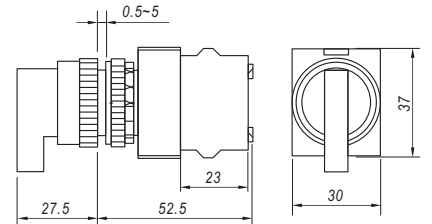
Contact 11: 1NO1NC / 10: 1NO / 01: 1NC  
Other switch combinations refer to the model description  
Operation Z: Latching / No letter: Momentary  
LED color **R G Y**  
LED voltage 6V / 12V / 24V / 110V / 220V / 380V  
IP degree IP40  
Accessory T35 protective cover / Protective cap T16



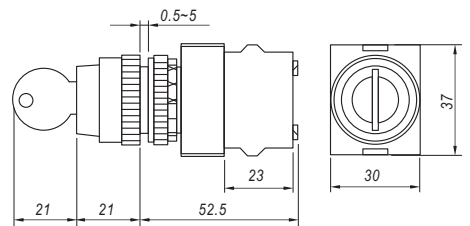
Contact 11: 1NO1NC / 20: 2NO / 02: 2NC  
Other switch combinations refer to the model description  
Operation (32 Default right momentary, left momentary can be customized)  
Contact, pls refer to "contact on/off chart"  
LED color **R G N**  
LED voltage 6V / 12V / 24V / 110V / 220V / 380V  
IP degree IP40  
Accessory T35 protective cover / T04 sign frame



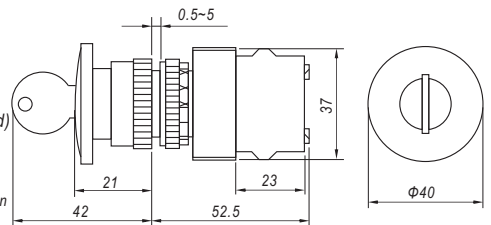
Contact 11: 1NO1NC / 20: 2NO / 02: 2NC  
Other switch combinations refer to the model description  
Operation (32 Default right momentary, left momentary can be customized)  
Contact, pls refer to "contact on/off chart"  
LED color **R G N**  
LED voltage 6V / 12V / 24V / 110V / 220V / 380V  
IP degree IP40  
Accessory T35 protective cover / T04 sign frame



Contact 11: 1NO1NC / 20: 2NO / 02: 2NC  
Other switch combinations refer to the model description  
Operation (32 Default right momentary, left momentary can be customized)  
Contact, pls refer to "contact on/off chart"  
IP degree P: IP65 (only maintain type) / No letter means IP40  
Can be customized with keys that cannot be pulled out at the specified location  
Accessory T04 sign frame / T35 protective cover



Contact 11: 1NO1NC / 20: 2NO / 02: 2NC  
Other switch combinations refer to the model description  
Operation (32 Default right momentary, left momentary can be customized)  
Contact, pls refer to "contact on/off chart"  
IP degree P: IP65 (only maintain type) / No letter means IP40  
Can be customized with keys that cannot be pulled out at the specified location  
Accessory T04 sign frame / T35 protective cover





Product Picture	Description	Dimension
-----------------	-------------	-----------



Contact 11: 1NO1NC / 10: 1NO / 01: 1NC  
 Other switch combinations refer to the model description  
 IP degree IP40  
 Head dimension  $\Phi 30\text{mm}$ ,  $\Phi 40\text{mm}$   
 Accessory Warning ring T14-2260 / T35 protective cover/  
 T26 protection ring

